

CL.1 eSET Touchfree Basin mixer without pop-up waste without temperature setting - Chrome

CL.1

ST 010 201 9705



- 200mm projection
 - fixed spout
 - rectangular spray pattern with 40 individual jets
 - hole diameter 37 mm
 - 1/2" connection
 - plug-link mounting
 - max. flow 4.5 l/min
 - lead-free
 - automatic hygiene flush
 - suitable for thermal disinfection
 - adjustable follow-up time
 - high-frequency sensors with self-calibration
 - magnetic valve
 - 100-240 V AC / 12 V DC, 50-60 Hz, 18 W power supply unit, incl. country-specific adapter set
 - This product can help a building meet the requirements of Green Building Rating Systems, e.g. LEED®, BREEAM®, DGNB
- Cannot be combined with basins in conducting materials (e.g. steel, river stone).**
Cannot be combined with basins that have a closing drain.
ATTENTION: Separate terms and conditions for electronic articles are applicable.

Individual components of this set

You need the following components for this set



1x 42 766 970 90



1x 13 800 705-00



CL.1 eSET Touchfree Basin mixer without pop-up waste without temperature setting - Chrome

CL.1

ST 010 201 9705

CL.1 eSET Touchfree Basin mixer without pop-up waste without temperature setting - Chrome

CL.1

ST 010 201 9705



Fits: IMO, LULU, MADISON, MEM, TARA, CL.1, LISSÉ, VAIA, META, CYO

- automatic hygiene flush
 - suitable for thermal disinfection
 - adjustable follow-up time
 - high-frequency sensors with self-calibration
 - magnetic valve
 - 100-240 V AC / 12 V DC, 50-60 Hz, 18 W power supply unit, incl. country-specific adapter set
- Cannot be combined with basins in conducting materials (e.g. steel, river stone).
Cannot be combined with basins that have a closing drain.**
ATTENTION: Separate terms and conditions for electronic articles are applicable.

Cannot be combined with basins in conducting materials (e.g. steel, river stone).

Cannot be combined with basins that have a closing drain.

ATTENTION: Separate terms and conditions for electronic articles are applicable.

Required miscellaneous



eSET Touchfree Basin mixer without temperature setting for combining with wall-mounted fittings -

- min. recess depth 90 mm
- max. recess depth 125 mm

35 743 970 90

Required miscellaneous



eSET Touchfree Basin mixer without temperature setting for combining with free-standing fittings -

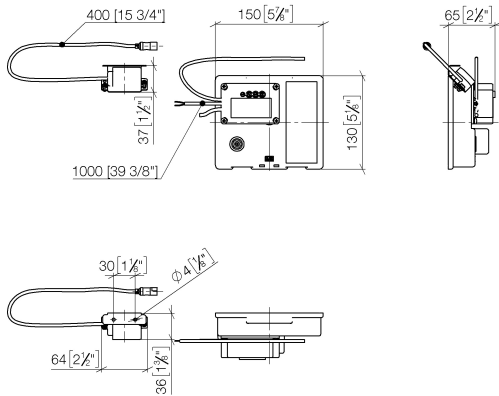
35 742 970 90

Recommended miscellaneous

Extension for Touchfree 500 mm - 12 765 970 90



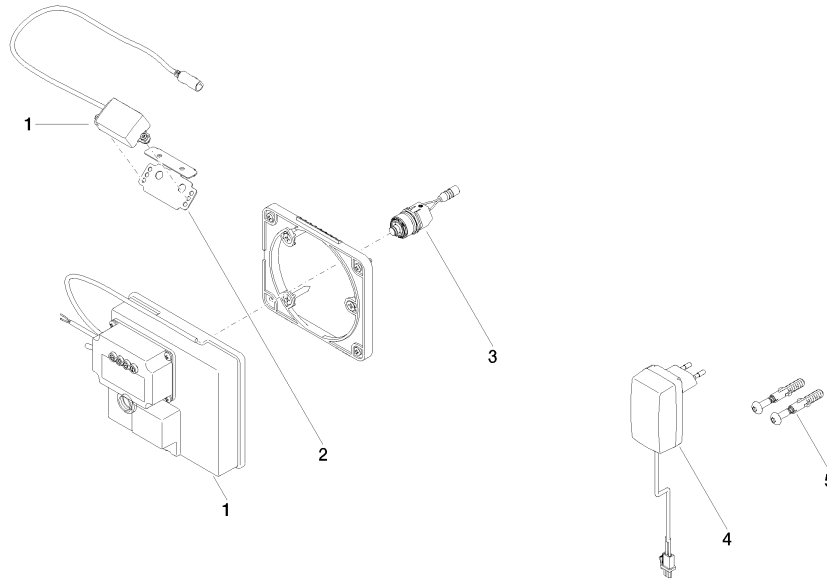
ST 010 201 9705
mm [inches]



Certificates

LGA_29120.	WRAS_1906116.	IAPMO_EGS.	CE000001_eSet_Tou chfree_20171206_D E_signed.	CE000002_eSet_Tou chfree_20171206_E N_signed.
LGA_29119.				

ST 010 201 9705



Spare parts list

No.	Item Number	Name	Quantity used	Delivery time
1	90 10 01 177 00 90	electronic accessories	1	2
2	90 17 20 199 00 90	holder	1	2
3	04 30 50 079 00 90	valve	1	2
4	04 10 01 050 00 90	power supply	1	60
5	04 30 31 024 01 90	fixing set	1	2







CL.1 eSET Touchfree Basin mixer without pop-up waste without temperature setting - Chrome

CL.1

ST 010 201 9705



- 200mm projection
- fixed spout
- rectangular spray pattern with 40 individual jets
- hole diameter 37 mm
- lead-free
- 1/2" connection
- plug-link mounting
- max. flow 4.5 l/min
- This product can help a building meet the requirements of Green Building Rating Systems, e.g. LEED®, BREEAM®, DGNB

	Chrome	13 800 705-00
	Brushed Platinum	13 800 705-06
	Dark Chrome	13 800 705-19
	Brushed Champagne (22kt Gold)	13 800 705-46
	Champagne (22kt Gold)	13 800 705-47
	Brushed Dark Platinum	13 800 705-99

Recommended miscellaneous



Concealed wall elbow -

35 085 970 90

- max. recess depth 163 mm
- min. recess depth 90 mm

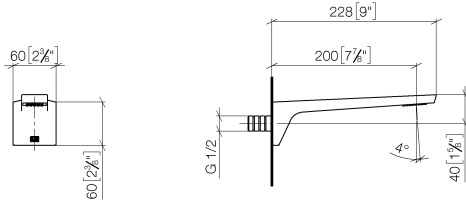


CL.1 eSET Touchfree Basin mixer without pop-up waste without temperature setting - Chrome

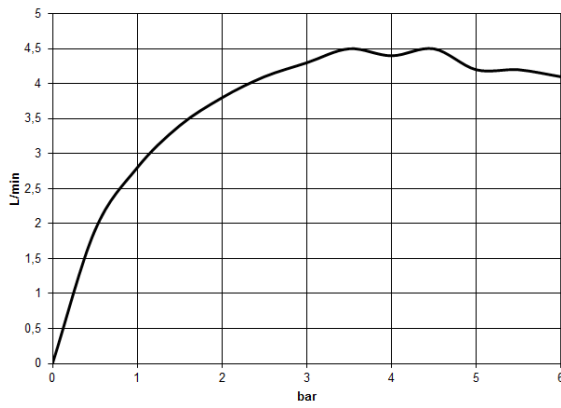
CL.1

ST 010 201 9705

ST 010 201 9705
mm [inches]



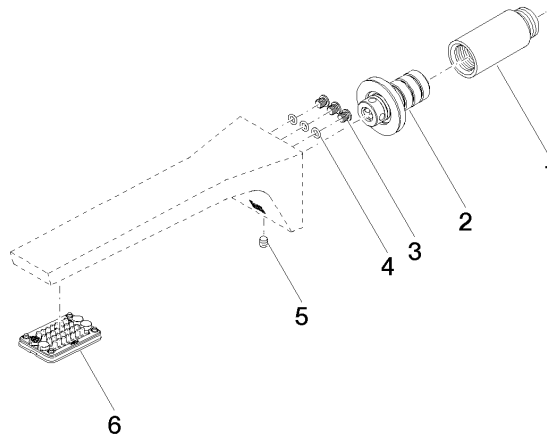
Flow rate chart



Certificates

LGA_28685. IAPMO_N-4976. IAPMO_8834 (1). IAPMO_4976 (6). WRAS_1512013.

IAPMO_6397.



Spare parts list

No.	Item Number	Name	Quantity used	Delivery time
1	09 24 03 081 10 90	extension	1	2
2	90 24 03 108 01 90	nipple set	1	2
3	09 30 30 113 20 90	screw	3	2
4	09 14 10 001 90	seal	3	2
5	90 31 11 004 00 90	pin	1	2
6	90 11 02 297 00 90	aerator	1	2